

Access Hatch

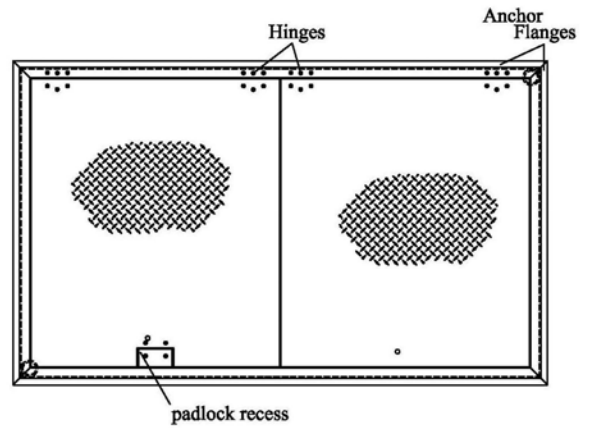
Model HD-SBS (Side by side)
(H-20 Rating)

Aluminum Access Doors

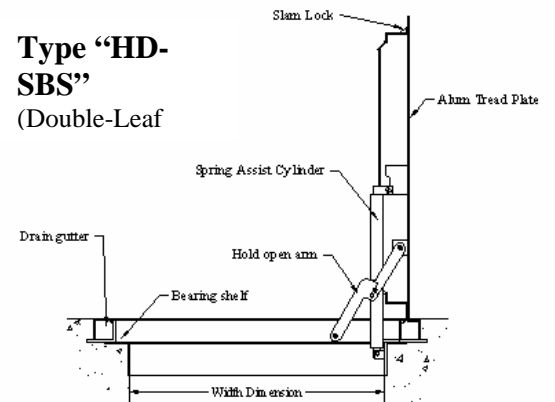
Type "HD-SBS" features reinforcing channel framework that transfers the the load from the 1/4" aluminum diamond plate door leaf to the door frame, and our stainless steel spring lift makes the opening of our hatch doors easy. The locking support arm holds the doors open automatically. We use 3/8" neoprene to achieve a weather-tight seal.

All hardware used on our hatches is stainless steel, 300 series, except the 1 1/2" aluminum drain coupling and the removable handle used for access into the hatch.

All LW HATCHES are provided with a self-latching stainless steel slam lock and with a recessed padlock hasp so they can be locked with a padlock. All type "HD-SBS" doors are designed for use in off street locations where not subjected to high density traffic. However, special provisions may be made to the hatch to allow use in higher density traffic location when requested. May be cast in an 8" slab.



Type "HD-SBS" (Double-Leaf)



Type "HD-SBS"
(Double-leaf
door)
STANDARD
SIZES

Part #	A	B	C	D	E	F
HDSBS-1	36"x42"	36"x48"	36"x60"	36"x72"	36"x84"	36"x96"
HDSBS-2	42"x42"	42"x48"	42"x60"	42"x72"	42"x84"	42"x96"
HDSBS-3	48"x48"	48"x60"	48"x72"	48"x84"	48"x96"	
HDSBS-4	60"x60"	60"x72"	60"x84"	60"x96"	60"x108"	60"x120"
HDSBS-5	72"x72"	72"x84"	72"x96"	72"x108"	72"x120"	72"x132"