

Access Hatch

Model "HHS" and "HHD"
(H-30 Rating)

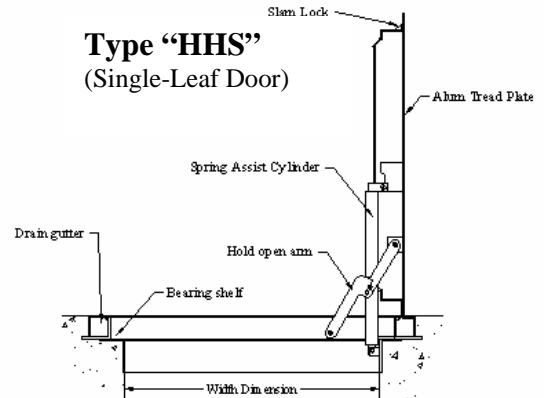
LW PRODUCTS COMPANY, INC.
"ACCESS DOORS BUILT TO LAST"
8333 -219th Street SE, Building A
Woodinville, Washington 98072
Phone (425) 483-0300
Fax (425) 485-2058

Aluminum Access Doors

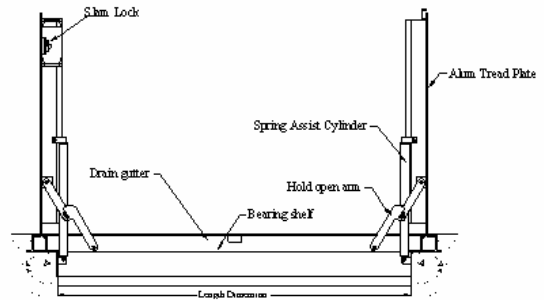
Both type "HHS" and type "HHD" features reinforcing channel framework that transfers the the load from the 3/8" aluminum diamond plate door leaf to the door frame, and our stainless steel spring lift makes the opening of our hatch doors easy. The locking support arm holds the doors open automatically. We use 3/8" neoprene to achieve a weather-tight seal.

All hardware used on our hatches is stainless steel, 300 series, except the 1 1/2" aluminum drain coupling and the removable handle used for access into the hatch.

All LW HATCHES are provided with a self-latching stainless steel slam lock and with a recessed padlock hasp so they can be locked with a padlock. All type "HHS" and type "HHD" doors are designed for use in street locations where subjected to higher density traffic. May be cast in an 8" slab.



Type "HHS"
(Single-Leaf Door)



Type "HHD"
(Double-Leaf Door)

Type "HHS"
(Single-leaf
door)
STANDARD
SIZE

Part #	A	B	C	D	E	F	G
HHS-1	24"x24"	24"x30"	24"x36"	24"x42"	24"x48"	24"x60"	24"x72"
HHS-2	30"x30"	30"x36"	30"x42"	30"x48"	30"x60"	30"x72"	30"x84"
HHS-3	36"x36"	36"x42"	36"x48"	36"x60"	36"x72"	36"x84"	36"x96"
HHS-4	42"x42"	42"x48"	42"x60"	42"x72"	42"x84"	42"x96"	42"x108"
HHS-5	48"x48"	48"x60"	48"x84"	48"x96"	48"x108"		

Type "HHD"
(Double-leaf
door)
STANDARD
SIZE

Part #	A	B	C	D	E	F
HHD-1	36"x48"	36"x60"	36"x72"	36"x84"	36"x96"	
HHD-2	42"x42"	42"x48"	42"x60"	42"x72"	42"x84"	42"x96"
HHD-3	48"x48"	48"x60"	48"x72"	48"x84"	48"x96"	
HHD-4	60"x60"	60"x72"	60"x84"	60"x96"	60"x108"	60"x120"
HHD-5	72"x72"	72"x84"	72"x96"	72"x108"	72"x120"	72"x132"